

*mini compact*

**portable electronic organ**

D.W.G. NO.

*SM-52*

**FARFISA**

— ASPIC TERME — ANCONA — ITALY —

SCHEMATIC DIAGRAM

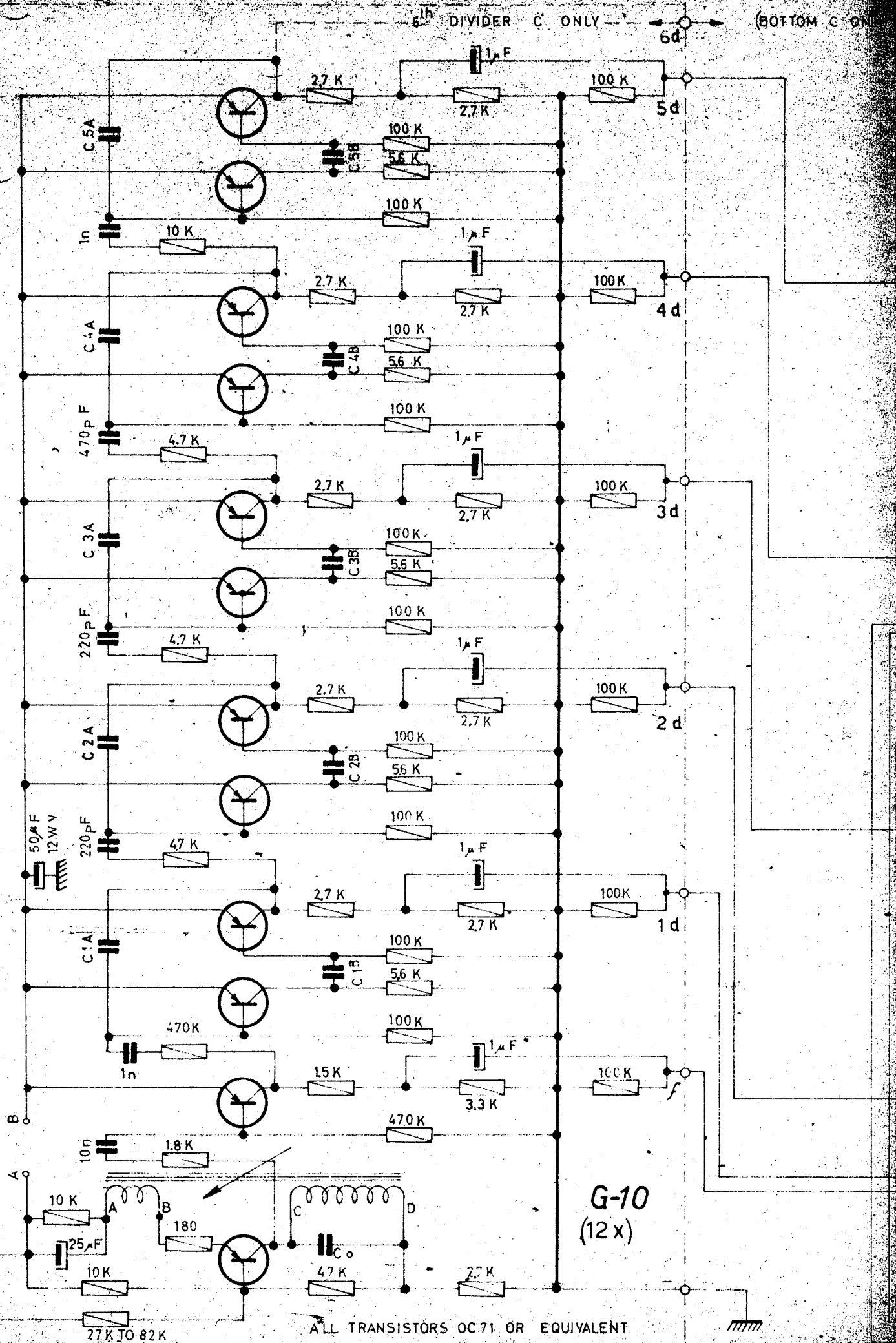
FOR MODEL

MINICOMPACT

A TO B	RESISTANCE
DO	330 $\Omega$
DO*	270 $\Omega$
RE	220 $\Omega$
RE*	180 $\Omega$
MA	150 $\Omega$
FA	120 $\Omega$
FA*	100 $\Omega$
SOL	68 $\Omega$
SOL*	DC*
LA	DC*
LA*	DC*
SI	DC*

\* D.C. DIRECT CONNECTION

50 $\mu$ F 12WV ON GENERATOR BOARDS - SOL\* - LA - LA\* - SI -



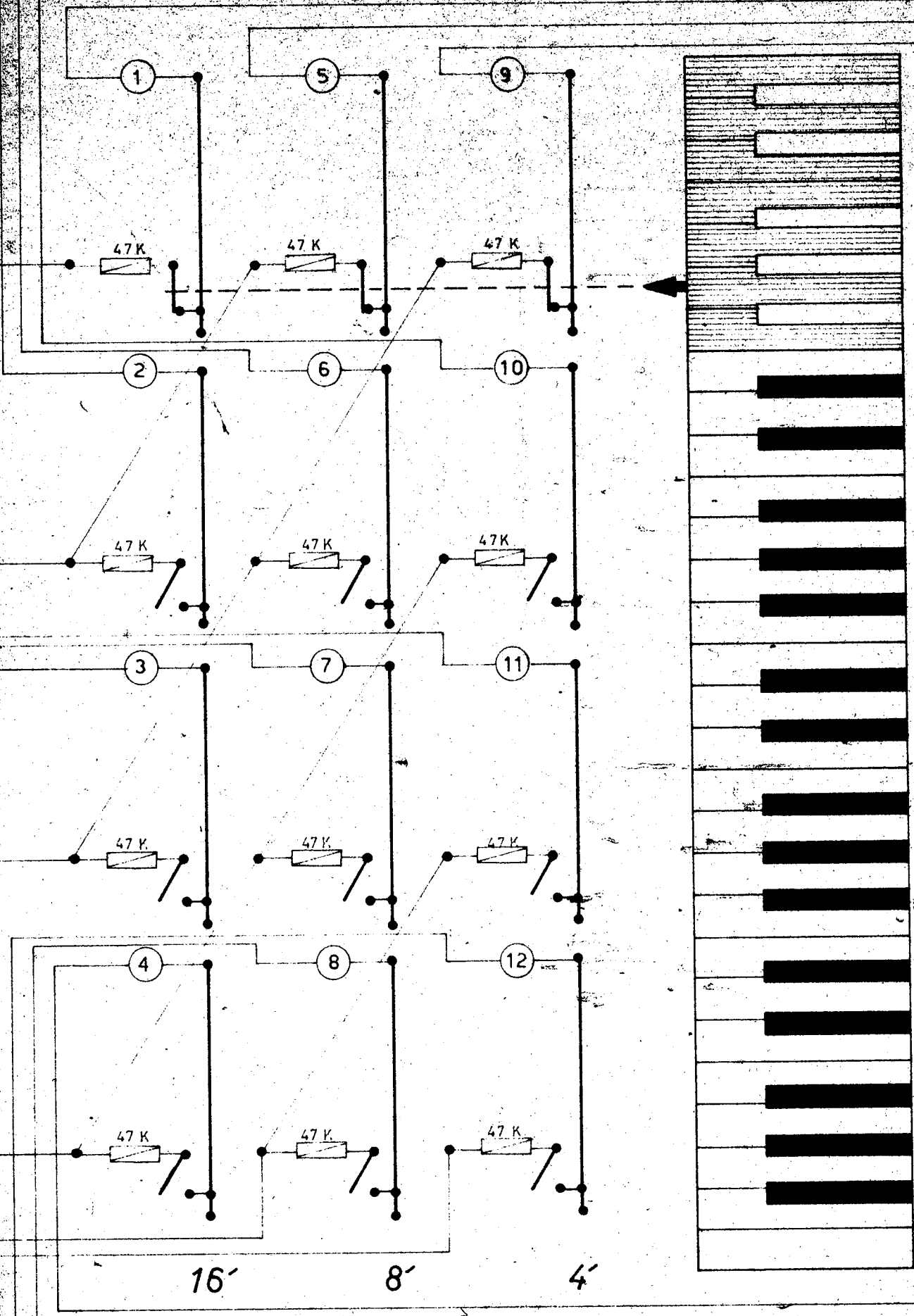
5th DIVIDER C ONLY (BOTTOM C ONLY)

G-10 (12x)

ALL TRANSISTORS OC71 OR EQUIVALENT

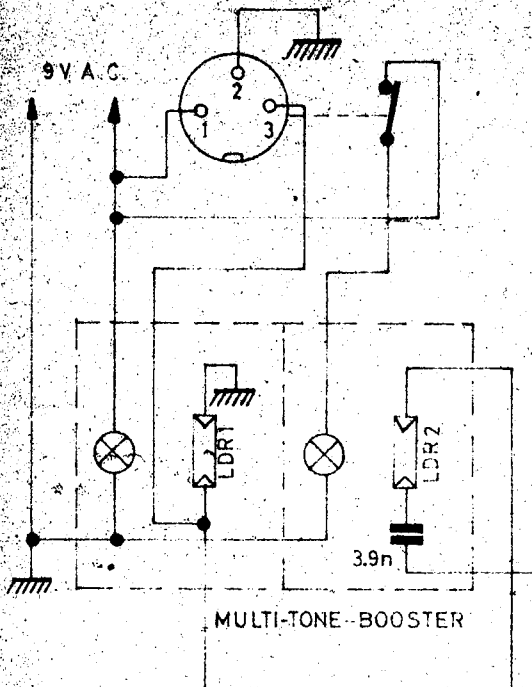
VIBRATOR NO 3 PA 10

27K TO 82K



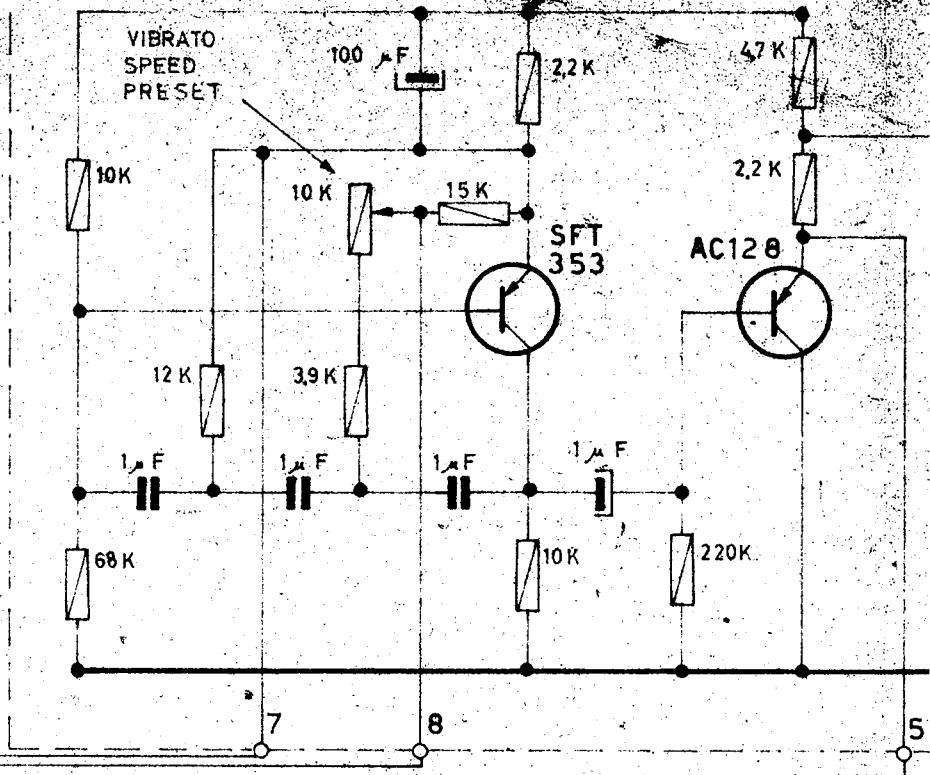
THE  
 GREY  
 SCALE  
 BAR

SOCKET FOR  
OPTIONAL  
SWELL-PEDAL



MULTI-TONE-BOOSTER

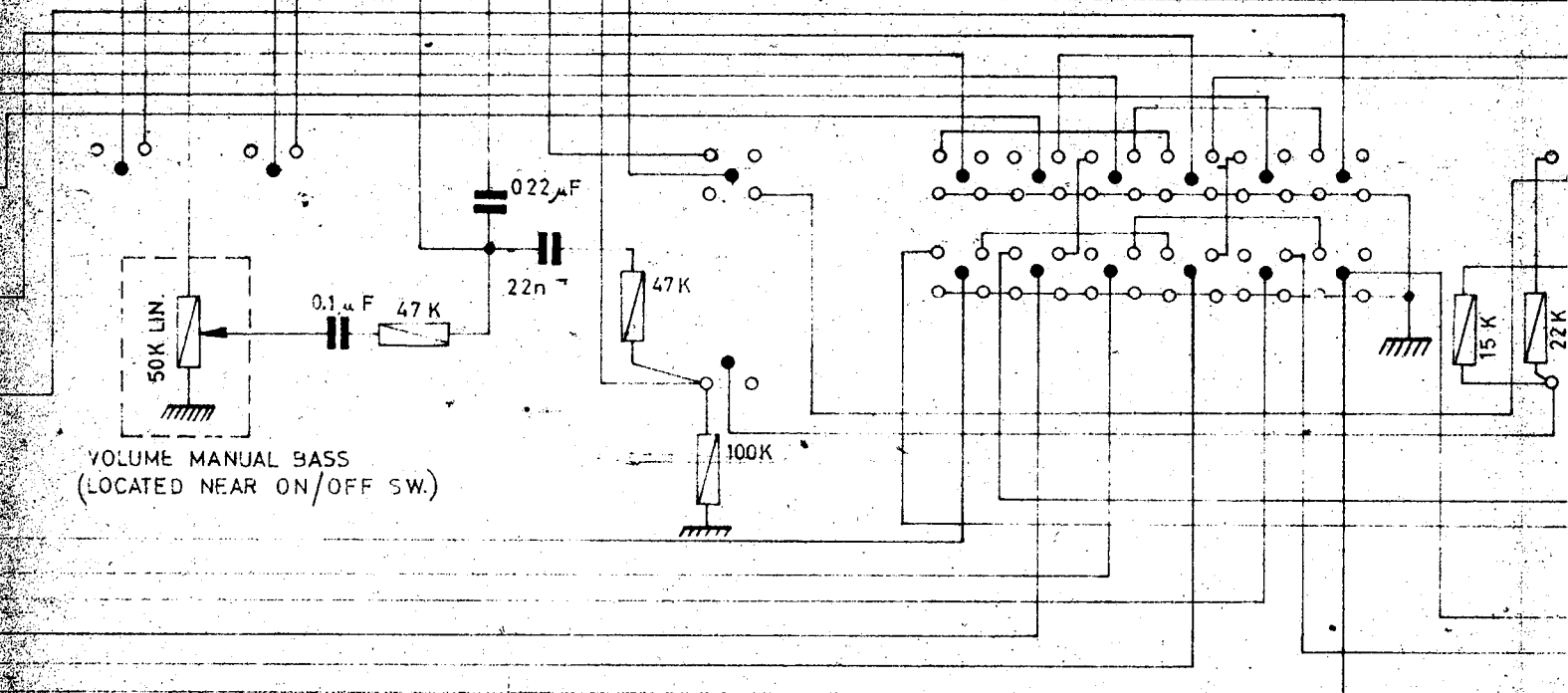
VIBRATO  
SPEED  
PRESET



SFT  
353

AC128

VOLUME MANUAL BASS  
(LOCATED NEAR ON/OFF SW.)



SLOW	OFF
	VIBRATO
FAST	ON

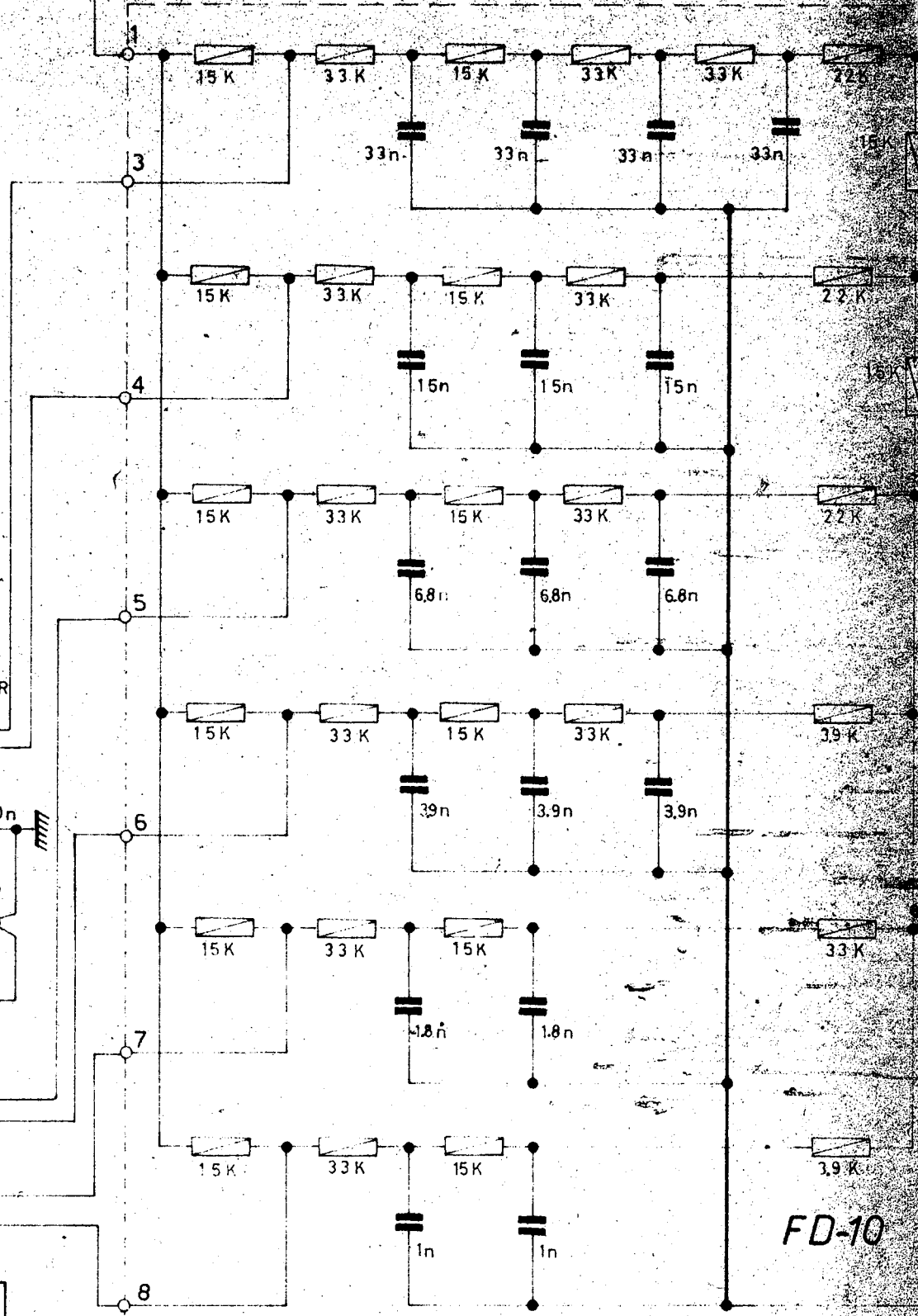
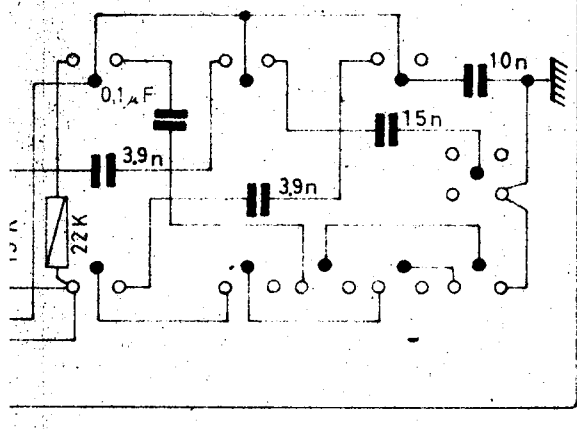
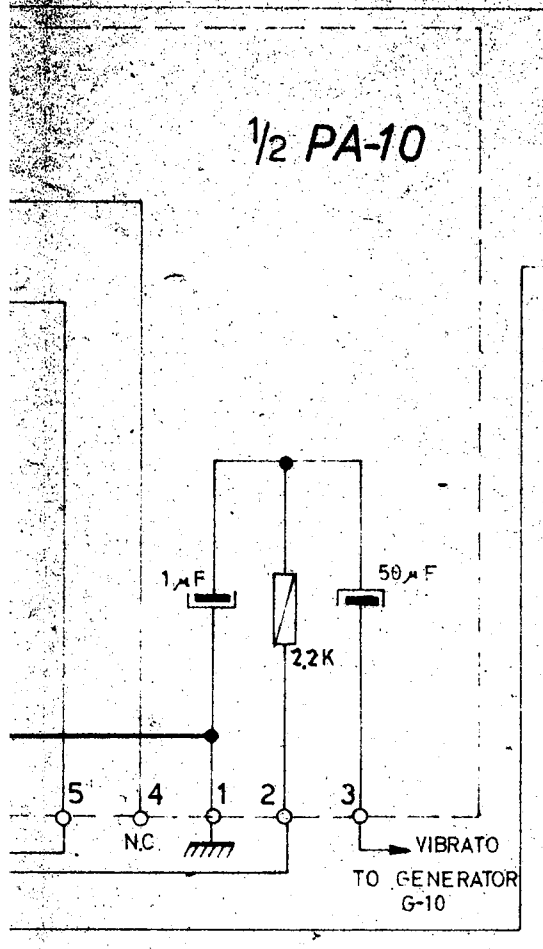
OFF
MULTI TONE BOOSTER
ON

16'
-----

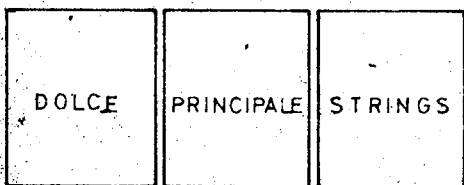
8'
----

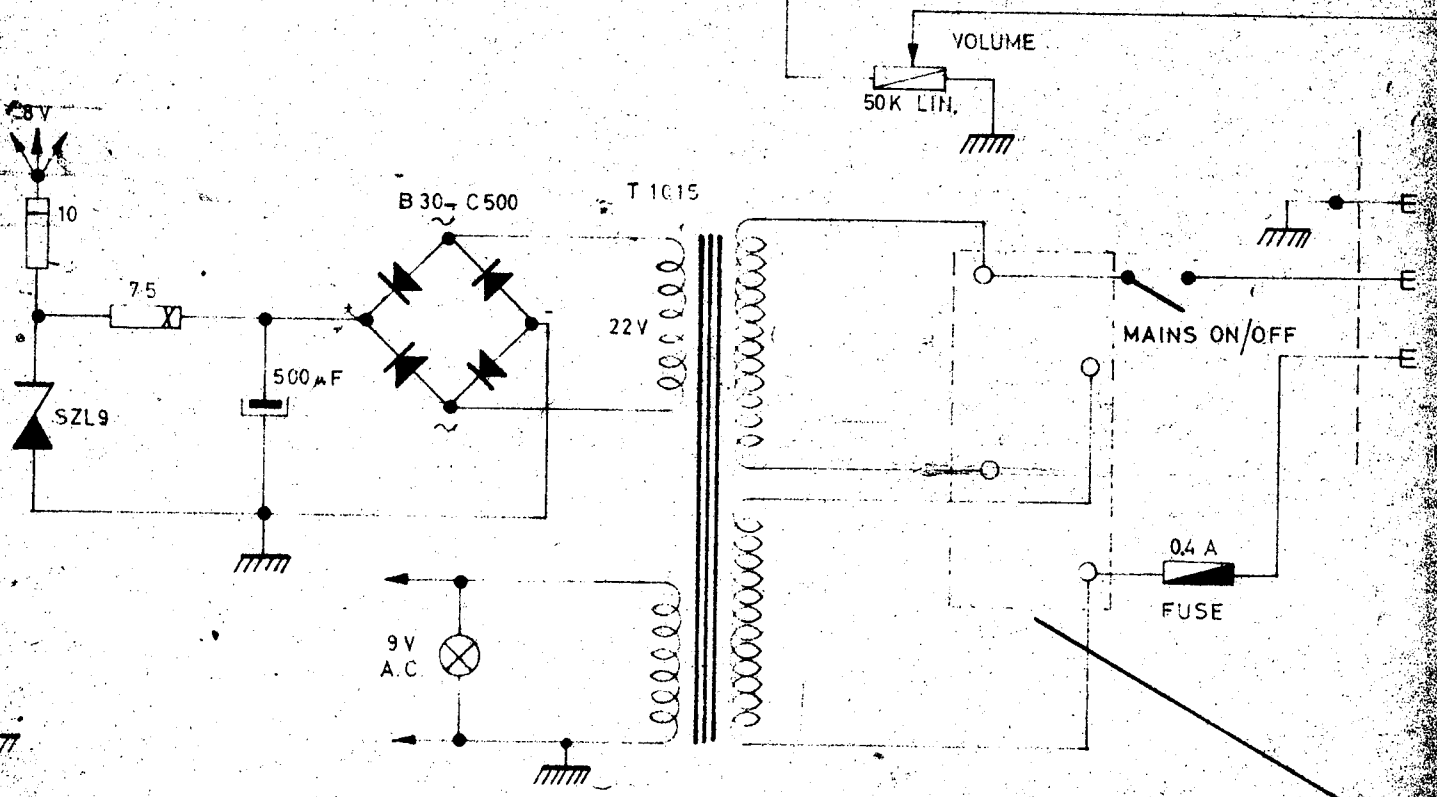
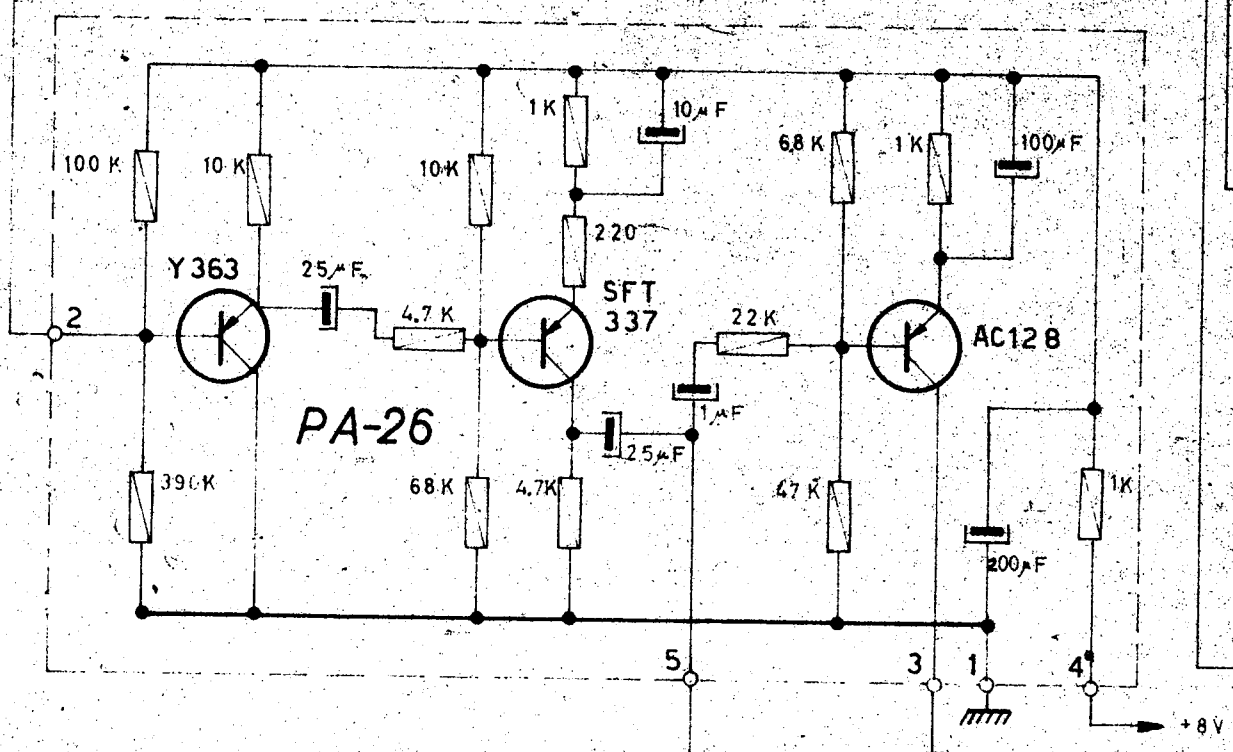
4'
----

1/2 PA-10

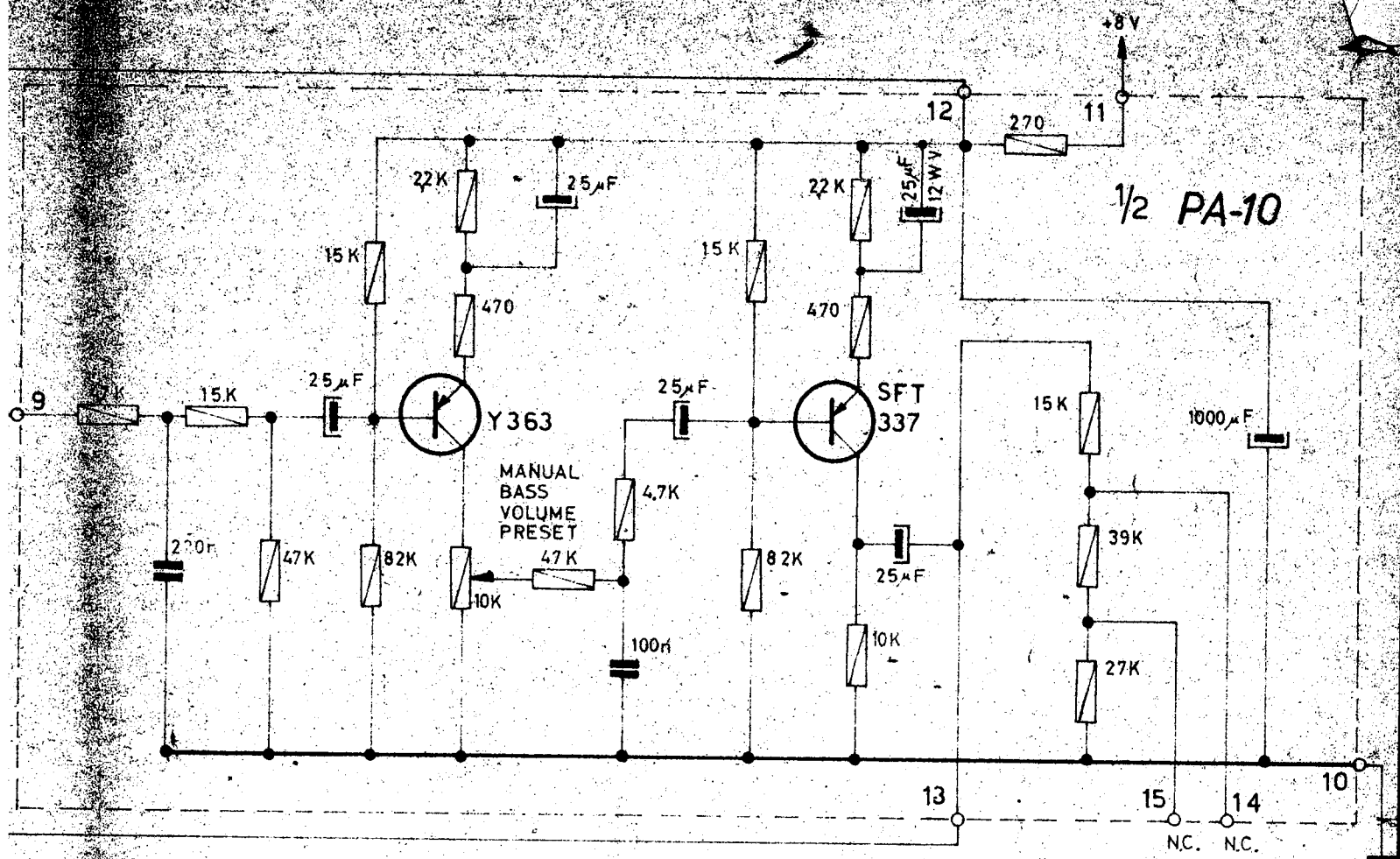


FD-10

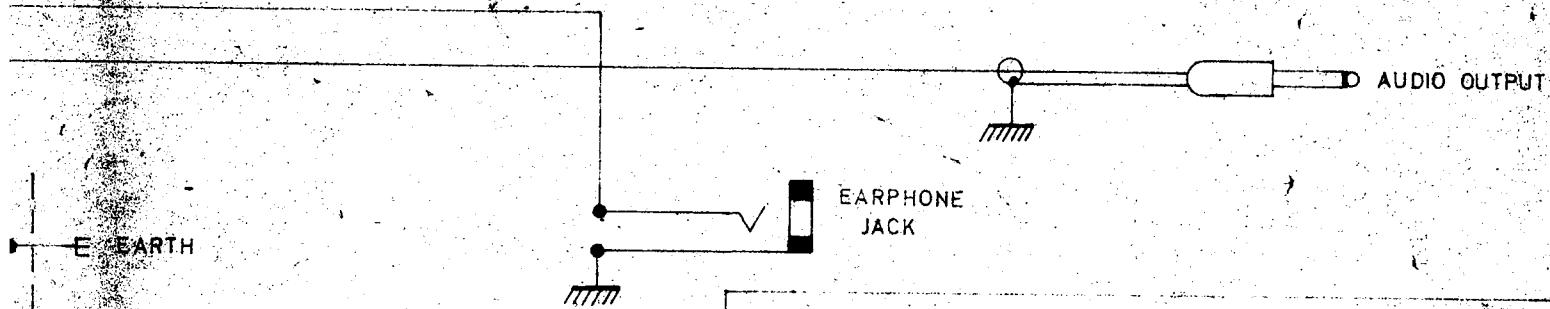




POWER SUPPLY CHASSIS



1/2 PA-10

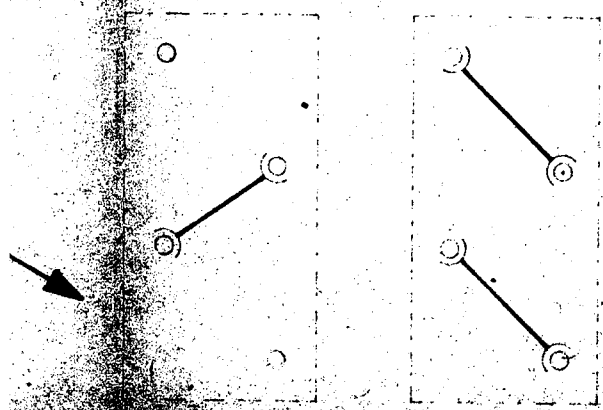


E EARTH  
E A.C. MAINS  
E ~

FOR AC MAINS  
220 TO 240V

FOR AC MAINS  
110 TO 125V

1p (WITH VALUES OF CAPACITORS) EQUALS 1000 pF (1000 μF)  
ALL NON ELECTROLYTIC CAPACITORS 125 WV UNLESS OTHERWISE INDICATED.  
PILOT LAMPS 12V 3W (PHILIPS TYPE 12384)  
— 1/2 WATT ; — 1 WATT ; — 10 WATTS ;  
ALL RESISTORS 10% UNLESS OTHERWISE INDICATED



	C <sub>0</sub>	C 1A	C 1B	C 2A	C 2B	C 3A	C 3B	C 4A	C 4B	C 5A	C 5B	C 6A	C 6B
C DO	7.5n	5.6n	6.8n	10n	12n	22n	27n	39n	47n	82n	100n	150n	170n
C* DO*	16n	8.2n	12n	18n	27n	33n	39n	68n	82n	120n	150n		
D RE	14.7n	8.2n	10n	15n	22n	33n	39n	68n	82n	120n	150n		
D# RE#	13n	8.2n	10n	15n	22n	33n	39n	68n	82n	120n	150n		
E MI	11.2n	6.8n	10n	15n	22n	27n	39n	56n	82n	120n	150n		
F FA	10n	6.8n	10n	15n	18n	27n	39n	56n	68n	120n	150n		
F# FA#	9n	6.8n	10n	12n	18n	27n	33n	56n	68n	100n	120n		
G SOL	7.8n	5.6n	10n	12n	15n	22n	33n	56n	68n	100n	120n		
G* SOL*	7.1n	5.6n	8.2n	12n	15n	22n	33n	47n	68n	82n	100n		
A LA	5.9n	5.6n	8.2n	10n	15n	22n	33n	47n	68n	82n	100n		
A* LA*	10n	5.6n	5.8n	10n	12n	22n	33n	47n	56n	82n	100n		
B SI	8.3n	4.7n	5.8n	8.2n	12n	18n	27n	39n	47n	82n	100n		

ALL CAPACITORS .10 %

Drawn by

Checked by

Date

29-4-66

Revisions

No